



Distortion due to exposure to heat sources, including but not limited to building or pavement heat build-up, outdoor grills, and reflected sunlight from windows, doors or other surfaces;

Color change due to normal weathering. Normal weathering is defined as exposure to sunlight and extremes of weather and atmosphere that will cause any colored surface to gradually fade, chalk, or accumulate dirt or stains. When sunlight is partially blocked by a roof, trees, awnings or the like, uneven weathering may occur. Homeland Vinyl shall have sole discretion to determine, based on reasonable criteria, whether the Products are undergoing normal weathering;

Color or pattern variation on any variegated Products;

Color or pattern variation between any replacement Products and remaining original Products. Homeland Vinyl reserves the right to discontinue or modify any product line or color without notifying the Purchaser. If the original Product is not available, Homeland Vinyl may choose to provide replacement Products of equal value or quality;

Discoloration or other damage caused by air pollution, mildew, exposure to chemicals (including, but not limited to sunscreens, insect repellants, acids or bases, rust, lime, fertilizers, herbicides, or solvents);

Misuse, abuse, neglect or improper shipping, handling or storage;

Damage caused by horses or other large animals;

Use of accessories or other components which are incompatible with the Products;

Movement, distortion, settling or collapse of the ground or structure on which the Products are installed;

Impact of foreign objects, fire, earthquake, flood, lightning, tornado, hail or other casualty or act of God;

Damage caused by other circumstances and causes beyond Homeland Vinyl's control;

Any other cause not involving manufacturing defects in the Products.

This warranty does not apply to any Product which has been painted, varnished, or on which any other substance not approved by Homeland Vinyl has been applied over the original finish.

See important limitations on back.

**REGISTRATION AND TRANSFER OF WARRANTY**

To obtain coverage under this warranty, the warranty must be registered within thirty (30) days after completion of the installation of the Products. The attached registration card must be completed and returned along with proof of purchase to: Homeland Vinyl Products, Inc., P.O. Box 170729, Birmingham, AL 35217-0729, Attn: Warranty Registration.

This warranty is not transferable, with the following exception: The warranty may be transferred only by the original Purchaser and only one (1) time to a subsequent buyer of the property on which the Products were originally installed. Within thirty (30) days from the date of the transfer of the property, the original Purchaser shall deliver to Homeland Vinyl a written Application for Transfer of Warranty, along with proof of the original purchase of Homeland Vinyl products. During the first ten (10) years after the date of original installation of the Products, a duly transferred warranty shall remain in full force and effect as to all covered Products. After such ten year period, Homeland Vinyl's responsibility under such duly transferred warranty shall decrease by five percent (5%) per year. At no time, however, shall Homeland Vinyl's responsibility under this warranty be less than ten percent (10%) of the original Purchaser's price for the Products. Time is of the essence, and failure to comply with the foregoing requirements will terminate this warranty and relieve Homeland Vinyl of any further obligation under this warranty.

**WHAT THE PURCHASER MUST DO**

A claim under this warranty must be reported in writing, with proof of purchase, to Homeland Vinyl Products, Inc., P.O. Box 170729, Birmingham, AL 35217-0729, Attn: Warranty Department within thirty (30) days of the date that the defect is first discovered or reasonably could have been discovered. Purchaser must include proof of purchase, copy of government issued photo ID, proof of property ownership, registered warranty certificate number, and a statement describing the claimed defect. Homeland Vinyl may request additional information. Homeland Vinyl will then have a reasonable time to inspect or, at Homeland Vinyl's option, to have the product or a sample of the product shipped at the Purchaser's expense to Homeland Vinyl for inspection and analysis of the claimed defect. Homeland Vinyl shall be the sole judge of whether the product is defective and whether the defect is due to manufacturing.

If Homeland Vinyl determines that the claim is within the terms of this Limited Warranty, then Homeland Vinyl will, at its option, provide replacement Products or provide a purchase price refund for the Product under the terms and limitations described herein. In the event of repair or replacement, the original warranty shall apply to the repaired or replaced portion of the Products, and will extend for the balance of the warranty period in effect at the time the material proved defective.

This warranty is effective for purchases of Products on or after April 11, 2020.

**LIMITED WARRANTY REGISTRATION AND VALIDATION SYSTEM**

Date of Installation: \_\_\_\_\_

All information must be complete in order to place the warranty on your purchase into effect. Complete only one registration per installation and product and MAIL WITHIN THIRTY (30) DAYS, along with a copy of your proof of purchase.

Purchaser Name: \_\_\_\_\_ Telephone: \_\_\_\_\_

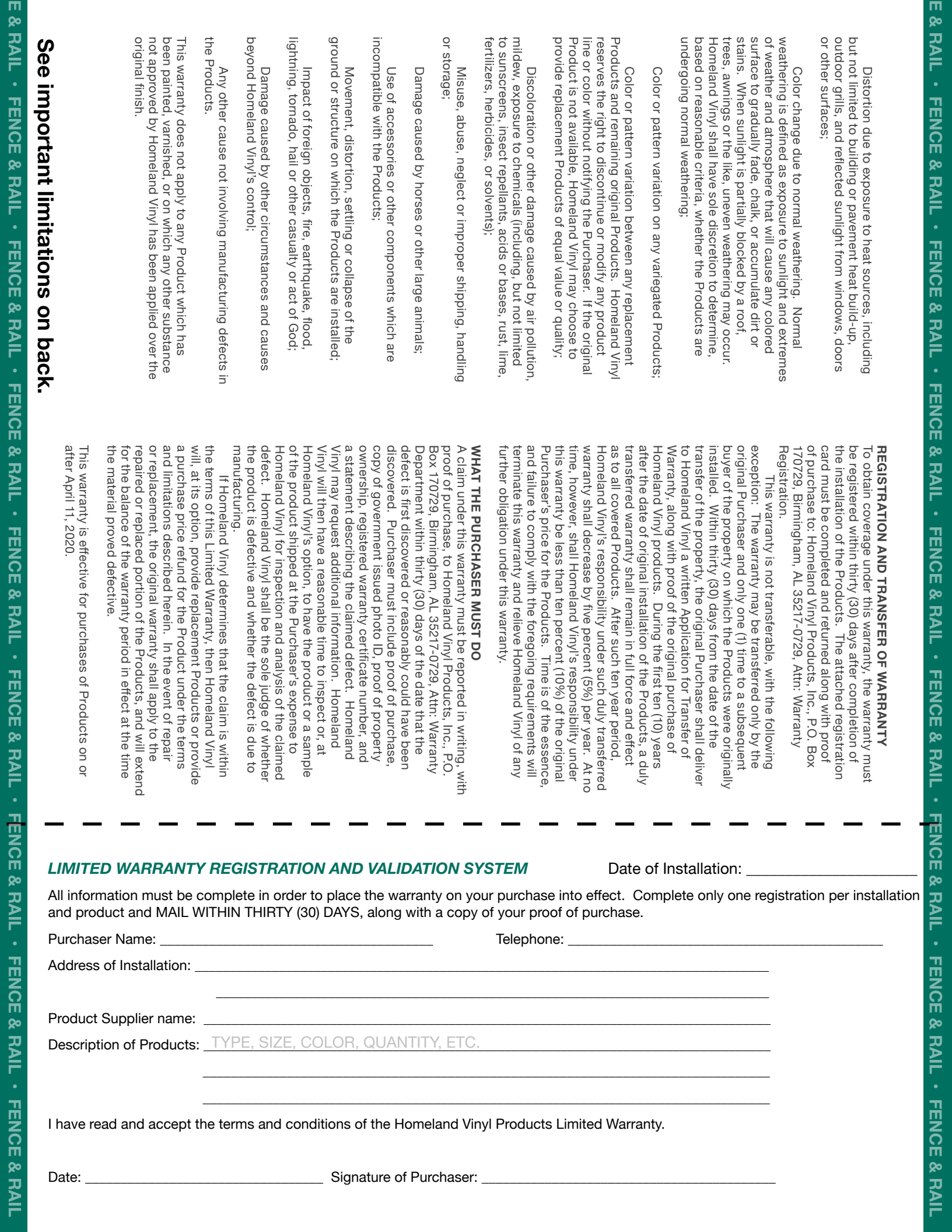
Address of Installation: \_\_\_\_\_

Product Supplier name: \_\_\_\_\_

Description of Products: TYPE, SIZE, COLOR, QUANTITY, ETC. \_\_\_\_\_

I have read and accept the terms and conditions of the Homeland Vinyl Products Limited Warranty.

Date: \_\_\_\_\_ Signature of Purchaser: \_\_\_\_\_



## After Purchase Vinyl Care:

Follow proper installation instructions.

Avoid exposure of any vinyl to unusual or excessive heat sources (e.g., outdoor fire pits, grills, glass window or glass door reflections) or installation adjacent to areas that may absorb heat such as concrete, asphalt, or dark-colored gravel.

Darker colors, such as Mocha Walnut, may become hot to the touch after prolonged exposure to direct sunlight. This effect can be mitigated with umbrellas, awnings or other shade producing fixtures.

Loose dirt can be cleaned with mild soap and water. Any cleaning products should be tested in an inconspicuous area before being applied on the full vinyl surface.

Do NOT paint the PVC.

Spray-on sunscreen or bug spray products may cause discoloration of the product surface. It is recommended that such products be applied either indoors, off the deck, away from fence and rail, or in such a manner that oversprayed product will not come in contact with the vinyl.

Avoid using rubber mats on any vinyl, as they may discolor the deck surface.

Download Instructions and Literature at:  
<http://homelandvinyl.com/resources/documents/>



## Fence Fabrication Guidelines



1. Make sure all metal stiffeners are in the correct orientation for the rail as used.
2. Make sure all rails are notched.
3. U-channel trim must be screwed to the post to help stabilize T&G boards.
4. Do not use any clear wrapping or shrink wrap on fence for storage or transportation. Make sure any wrap or protection of the fence or profiles does not absorb and retain heat. It will cause warping.
5. Product expansion and contraction is temperature dependent and will vary more in longer lengths and darker colors. Please take this into account during installation.
6. Do not store or install product next to a heat source.

7. Avoid installing the product near reflective surfaces (e.g. glass windows and glass doors), which can concentrate sunlight and heat the product.

8. Avoid installing the product on or adjacent to concrete, asphalt, or dark-colored gravel.

9. Make sure rail ends have at least 1 inch clearance of each other when inserted into posts for 6' spans, and at least 1.5 inch clearance on 8' spans. This will allow for adequate expansion and contraction of rails within the posts and prevent bowing.

10. Do not put dirt or mulch against rails. It could cause rails to permanently bow out.

11. CAUTION - Make sure pickets are cut for adequate clearance within the rail pocket to allow for thermal expansion. If the pickets are binding against the rail, they will cause excessive bowing with thermal expansion.

When dealing with installation on slopes, ensure that there is adequate clearance for pickets inside of the rail and cut picket at a slight angle if necessary.

***In addition to guidelines 1-11, please consider the following information regarding Homewood series of products:***

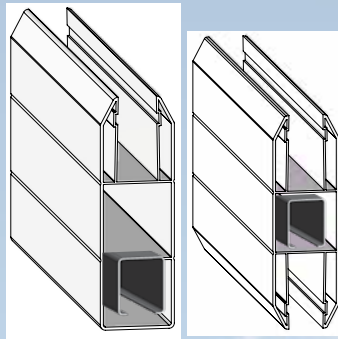
1. Metal stiffeners must be used in all rails for the Homewood series of product.
2. Midrail or HVP approved metal picket stiffeners must be used to reduce T&G bowing.
3. Scratches will be more evident in darker colors. Use caution when transporting and installing the products.

Homeland Vinyl Products does not warranty bowing of pickets. Please make sure of proper installation to reduce all of the factors mentioned.

## Proper Insert Placement & Orientation Is Important !

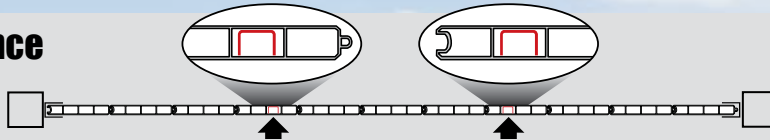
### A. 5-1/2", 7" and 8" Nexus or Gorilla Pocket Rail & Mid-Rail

Proper steel insert orientation shown for bottom rail. Reverse for top rail.

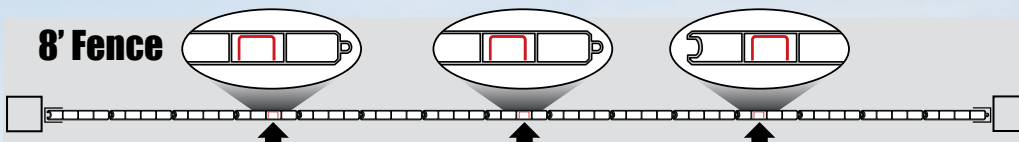


### B. Vertical Fence - Top Down View

#### 6' Fence



#### 8' Fence



### C. Horizontal Fence

